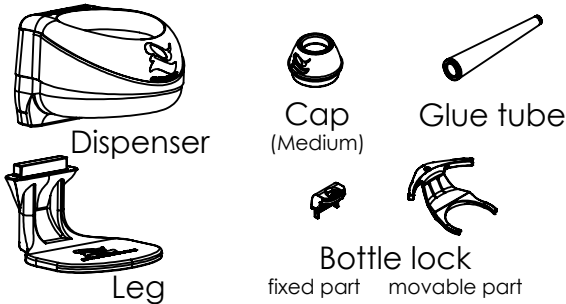


# Hands/Dishwashing dispenser Installation Instructions

## Package contents

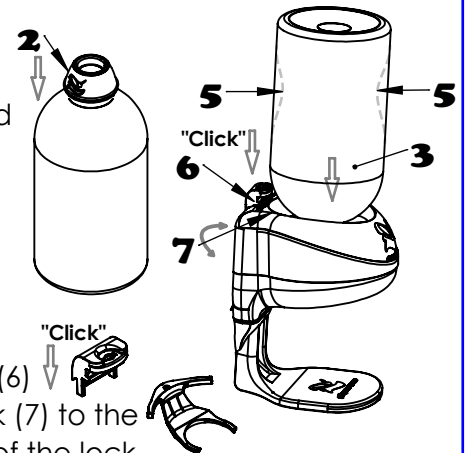


## Safety points

1. Keep out of reach of children
2. To be used only with dish washing liquid and hand washing liquid (not intended for high acidity liquids)
3. Maximum bottle size for dispenser - 950ml
4. Dispenser should not be left empty of cleaning products for long periods

## Loading the dispenser and cap replacement for disposable bottle (first loading after 24 hours)

1. Remove the cap from the purchased bottle
2. Install the dispenser cap (2) included in the package to the bottle
3. To Load the bottle onto the dispenser the bottle should be tilted and inserted fully in place
4. **To replace the bottle, the bottle should be tilted and removed from the dispenser**
5. Usage instructions: Squeeze the bottle (5) until the liquid comes out of the bottom of the dispenser



### **Use of Bottle Lock (Optional)**

6. Insert the fixed part of the bottle lock into the slot on the dispenser (6)
7. After loading the bottle, attach the movable part of the bottle lock (7) to the dispenser cap and turn it right or left until it locks into the fixed part of the lock

## Installation instructions

### **1 Horizontal installation (placed on the work area)**

Attach the leg (included in the package) to the base at the bottom of the dispenser. To use immediately without gluing, the bottle should be loaded and it's ready for usage

### **To glue onto the work area**

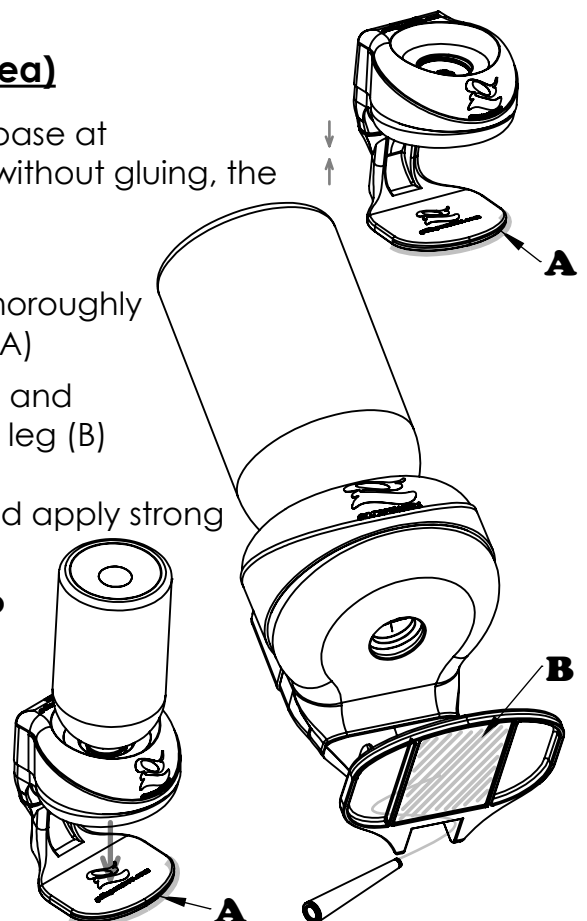
Carefully clean the area of oils and dirt and dry thoroughly  
Determine a final position and mark it with a line (A)

Open the tube of glue (included in the package) and dispense the content evenly at the bottom of the leg (B) per the illustration

Place the leg according to the mark (A), press and apply strong pressure for 10 seconds!

### **You must allow 12 hours to completely dry prior to loading a disposable bottle!**

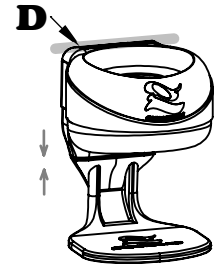
The glue tube should be kept in a dark place at temperature between 5-25 degrees celsius



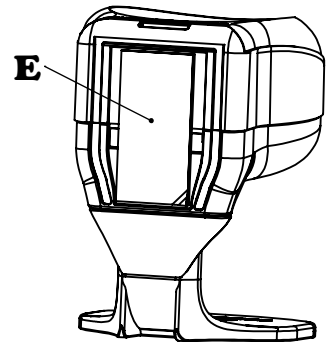
# Hands/Dishwashing dispenser Installation Instructions

## **1** Vertical Installation (to hang on a wall)

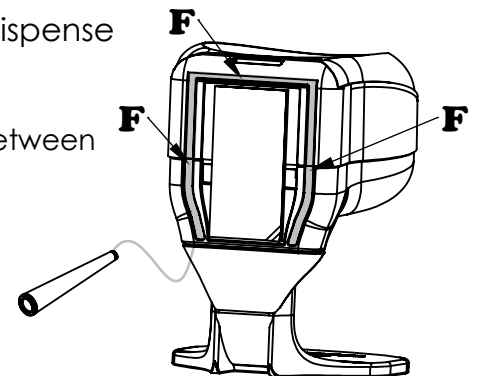
Attach the included leg to the base at the bottom of the dispenser  
Carefully clean the area of oils and dirt and dry thoroughly  
Use a marker to draw a horizontal upper line (D) on the wall



**2** Remove the seal (E) from the double sided tape at the back of the dispenser



**3** Open the tube of glue (included in the package) and dispense the content evenly on the track (F) at the back of the dispenser  
The glue tube should be kept in a dark place at temperature between 5-25 degrees celsius



**4** Place the dispenser according to the mark (D)  
Press and apply strong pressure for 10 seconds !



**5** You must allow 24 hours to completely dry prior to loading a disposable bottle !  
a bottle should not be installed until the glue has completely dried

For installation videos and placing orders please visit our website

***gdispensers.com***