

Automatic Cleaning and Disinfection Dispenser For visible toilet tanks with additional side opening Installation Instructions

Package contents

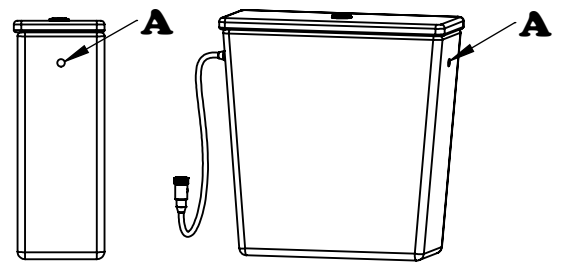


Safety points

1. Keep out of reach of children
2. To be used only with Liquid soap (not intended for high acidity liquids)
3. Maximum bottle size for dispenser - 750ml
4. Visible result in toilet bowl will appear within an hour of installation
5. **No touching/squeezing needed - dispenser is fully automatic !**
6. Dispenser should not be left empty of cleaning products for long periods

Installation instructions

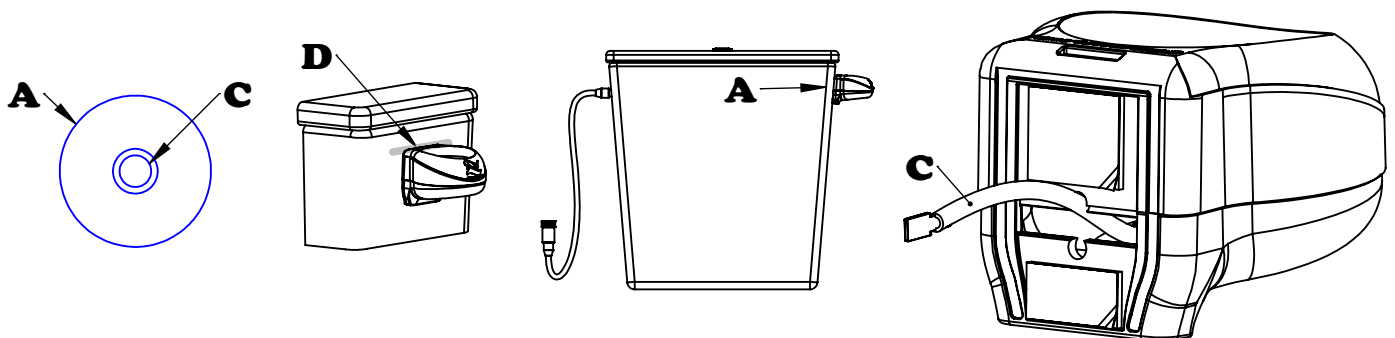
- 1** Remove the cover of the extra opening (A) in the side of the tank (see illustration)



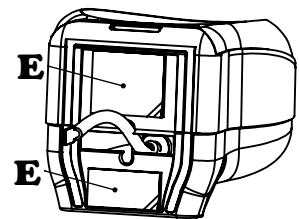
- 2** Carefully clean the area of oils and dirt and dry thoroughly

- 3** Insert the dispenser hose (C) to the side opening of the tank (A) so that the dispenser hose (C) is positioned exactly at the center of the opening (A) on the inside of the flush tank. Draw an upper horizontal line (D) on the outer edge (see illustration)

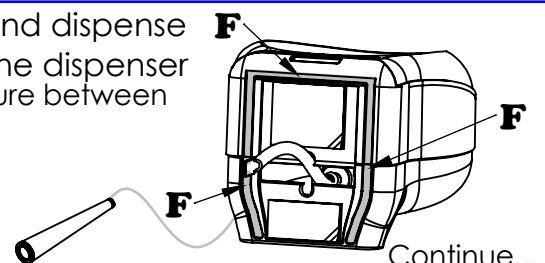
Ensure that the cistern cover can close properly !



- 4** Remove the seal of the double sided tape from the two stickers (E) at the back of the dispenser

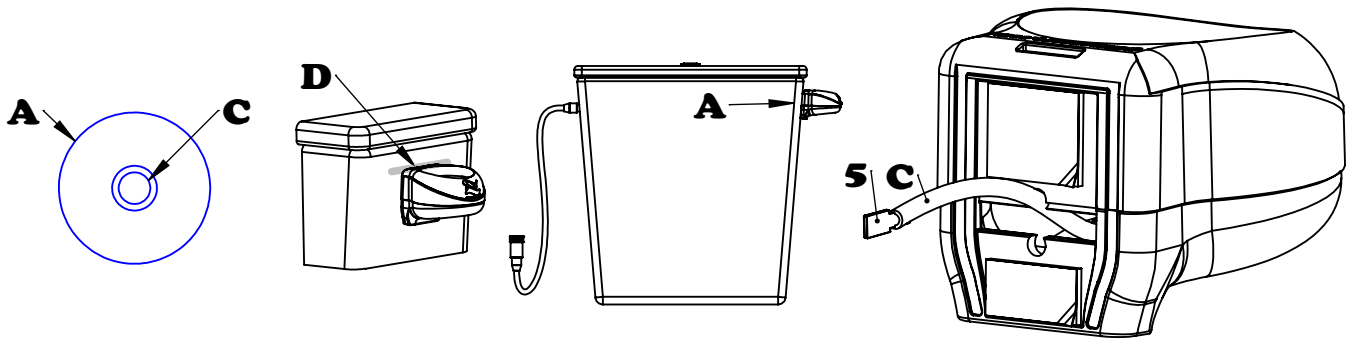


- 5** Open the tube of glue (included in the package) and dispense the content evenly on the track (F) at the back of the dispenser. The glue tube should be kept in a dark place at temperature between 5-25 degrees celsius



Automatic Cleaning and Disinfection Dispenser
For visible toilet tanks with additional side opening
Installation Instructions

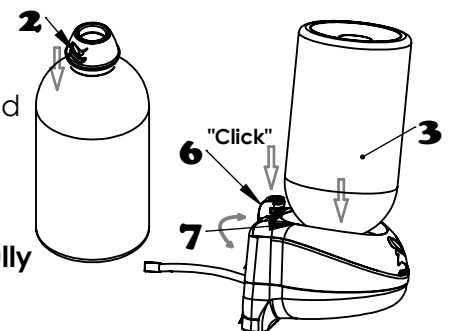
- 6** Verify that the Dropper (5) is attached. Insert the dispenser hose (C) into the opening of the flush tank (A) and attach the dispenser into place according to the marking (D) Press and apply strong pressure for 10 seconds !



- 7** **You must allow 24 hours to completely dry prior to loading a disposable bottle !**
a bottle should not be installed until the glue has completely dried

Loading the dispenser and cap replacement for disposable bottle
(first loading after 24 hours)

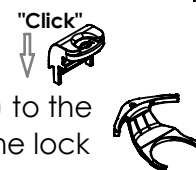
1. Remove the cap from the purchased bottle
2. Install the dispenser cap (2) included in the package to the bottle
3. To Load the bottle onto the dispenser the bottle should be tilted and inserted fully in place
4. **To replace the bottle, the bottle should be tilted and removed from the dispenser**
5. **Usage instructions: No touching/squeezing needed - dispenser is fully automatic !**



Use of Bottle Lock (Optional)

6. Insert the fixed part of the bottle lock into the slot on the dispenser (6)*
7. After loading the bottle, attach the movable part of the bottle lock (7) to the dispenser cap and turn it right or left until it locks into the fixed part of the lock

* In some cisterns the bottle lock cannot be installed



For installation videos and placing orders please visit our website

gdispensers.com